

SKYLANE
OPTICS®

V2.0

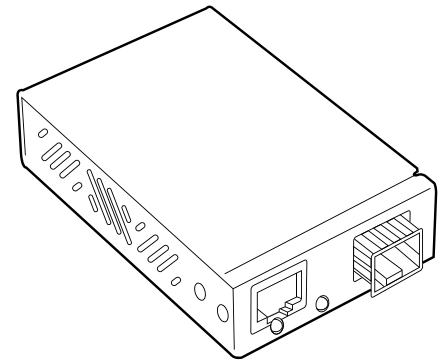
Media Converters

Introduction



In an era of ever-expanding connectivity and increased appetite for bandwidth there is a need to maximize existing infrastructures and connect dissimilar networks. As network complexities increase and distance requirements grow, network administrators are challenged with meeting new requirements and integrating new with old infrastructures; whether it be connecting copper to fibre, or single mode to multimode fibre networks.

Skylane Optics offers a range of media converters that support a variety of cable and connector types to seamlessly integrate disparate networks.



Mini Media Converters (MiMCs)

Mini Media Converters reduce space due to their compact size. If used in a cabinet, 12 MiMCs can be vuser change between 100base and 1G, as well as Link Fault Pass Through (LFPT) functions.

Managed Media Converters

Managed Media Converters can be installed in a 2U-16 slot chassis providing the user with information such as Port status and Ethernet statistics on both TP and Fibre interface. This is achieved through SNMP and Event traps. QoS can be applied to differentiate traffic flows.

OAM / Loop Back Test are available for fault and maintenance diagnostics. They are powered the same way as the standard converters, and a maximum of 16 slot cards can be inserted into a 2U chassis. The managed converters come with SFP connections.

Power over Ethernet (PoE) Media Converters

Power over Ethernet allows for power to be delivered to low voltage equipment, such as VoIP phones, CCTV cameras and wireless access points. Skylane Optics offers 1G with POE 15.4w, POE+ 25.5w and POE+ Industrial temp products. The PoE converters are offered with SFP connections.

Industrial Media Converters

In harsh environments, industrial media converters are a smart choice, ensuring stable conversion of data. The converters are rated to IP40, and with a working temperature between -40°C~+85°C. Skylane Optics provides industrial media converters in both the standard form factor for basic conversion and for the PoE range. These are mounted on DIN rails when installed. The industrial range of converters come with SFP connections.

Unmanaged Media Converters

Unmanaged media converters have plug-and-play capabilities and are easily installed remotely or in cabinets, offering a simple, cost-effective solution without the same level of detection as managed converters.

Skylane Optics media converters range covers both multimode 850nm up to 550m, and single mode 1310nm up to a range of 40km. The converters are equipped with functions such as Auto MDI/MDI-X and support low-time lag transmission. Additionally, Skylane Optics offers both fixed and open-slot SFP versions of media converters, providing flexibility for your networking project needs.

Power

Skylane Optics media converters are powered by an AC to DC 5-12v input with a power rating less than 3w. A maximum of 4 standard converters can be installed into a 2U rack.

Certifications

EMI:
FCC part 15, Subpart B Class A, ENss022 Class A Vibration: IEC 60068-2-6
Freefall: IEC 60068-2-32
Shock: IEC60028-2-27
Rail Traffic: ENso121-4 CE Mark
CE/LVD EN60950
EMS:
EN61000-4-2 (ESD) Level 3
EN61000-4-3 (RS) Level 3
EN61000-4-4 (EFT) Level 3
EN61000-4-5 (Surge) Level 3
EN61000-4-6 (CS) Level 3
EN61000-4-8
Warranty:
Skylane Optics offers a 5-year replacement warranty on all media converters that fail under normal working conditions.

Open SFP Port (LC) - RJ45

1000Base-1Gb/s		
Size	Part Number	Description
Standard	SK-GMC-SFP	10/100/1000Base-TX(RJ-45) to Open SFP Port Media Converter
Mini	SK-GMCMN-SFP	10/100/1000Base-TX(RJ-45) to Open SFP Port Mini Media Converter
SFP Options - Fiber Type/Distance		
Multimode	Part Number	Description
550m/850nm	SFP85P55GE0D000	1000Base-SX SFP Transceiver (MMF, 850nm, 550m, LC)
2km/1310nm	SFP13002GE0D000	1000Base-MX SFP Transceiver (MMF, 1310nm, 2km, LC)
Singlemode	Part Number	Description
20km/1310nm	SFP13020GE0D000	1000Base-LX SFP Transceiver (SMF, 1310nm, 20km, LC)
40km/1310nm	SFP13040GE0D000	1000Base-EX SFP Transceiver (SMF, 1310nm, 40km, LC)
80km/1550nm	SFP15080GE2D000	1000Base-ZX SFP Transceiver (SMF, 1550nm, 80km, LC)
100Base-100Mb/s		
Size	Part Number	Description
Standard	SK-FMC-FX-SFP	10/100Base-TX(RJ-45) to Open SFP Port Media Converter
Mini	SK-FMCMN-SFP	10/100Base-TX(RJ-45) to Open SFP Port Mini Media Converter
SFP Options - Fiber Type/Distance		
Multimode	Part Number	Description
2km/1310nm	SFP13002FE0D00	100Base-FX SFP Transceiver (MMF, 1310nm, 2km, LC)
Singlemode	Part Number	Description
20km/1310nm	SFP13020FE0D000	100Base-LX SFP Transceiver (SMF, 1310nm, 20km, LC)
40km/1310nm	SFP13040FE0D000	100Base-EX SFP Transceiver (SMF, 1310nm, 40km, LC)
80km/1550nm	SFP15080FE0D000	100Base-ZX SFP Transceiver (SMF, 1550nm, 80km, LC)

Notes:

- 1) Standard Media Converter Dimensions: (3.75" x 2.75" x 1.0")
- 2) Mini Media Converter Dimensions: (3.75" x 2.25" x 0.75")
- 3) Other Media Converter options available: Hardenend, 10G, 40G, Multi-Port, Managed, POE/+
- 4) Additional SFP options available: Hardenend, BiDirectional, WDM

Fixed (SC) - RJ45

1000Base-1Gb/s			
Multimode	Size	Part Number	Description
550m/850nm	Standard	SK-GMC-SX-5SC	10/100/1000Base-TX(RJ-45) to 1000Base-SX(SC) MMF 850nm 550m Media Converter
550m/850nm	Mini	SK-GMCMN-SX-SC	10/100/1000Base-TX(RJ-45) to 1000Base-SX(SC) MMF 850nm 550m Mini Media Converter
2km/1310nm	Standard	SK-GMC-MX-SC	10/100/1000Base-TX(RJ-45) to 1000Base-MX(SC) MMF 1310nm 2km Media Converter
2km/1310nm	Mini	SK-GMCMN-FX-SC	10/100/1000Base-TX(RJ-45) to 1000Base-FX(SC) MMF 1310nm 2km Mini Media Converter
Singlemode	Size	Part Number	Description
20km/1310nm	Standard	SK-GMC-LX-2SC	10/100/1000Base-TX(RJ-45) to 1000Base-LX(SC) SMF 1310nm 20km Media Converter
20km/1310nm	Mini	SK-GMCMN-LX-2SC	10/100/1000Base-TX(RJ-45) to 1000Base-LX(SC) SMF 1310nm 20km Mini Media Converter
40km/1310nm	Standard	SK-GMC-LX-4SC	10/100/1000Base-TX(RJ-45) to 1000Base-LX(SC) SMF 1310nm 40km Media Converter
40km/1310nm	Mini	SK-GMCMN-LX-4SC	10/100/1000Base-TX(RJ-45) to 1000Base-LX(SC) SMF 1310nm 40km Mini Media Converter
100Base-100Mb/s			
Multimode	Size	Part Number	Description
2km/1310nm	Standard	SK-FMC-FX-SC	10/100Base-TX(RJ-45) to 100Base-FX(SC) MMF 1310nm 2km Media Converter
550m/850nm	Mini	SK-FMCMN-SX-SC	10/100Base-TX(RJ-45) to 100Base-SX(SC) MMF 850nm 550m Mini Media Converter
2km/1310nm	Mini	SK-FMCMN-FX-SC	10/100Base-TX(RJ-45) to 100Base-FX(SC) MMF 1310nm 2km Mini Media Converter
Singlemode	Size	Part Number	Description
20km/1310nm	Standard	SK-FMC-FX-SC	10/100Base-TX(RJ-45) to 100Base-FX(SC) MMF 1310nm 2km Media Converter
20km/1310nm	Mini	SK-FMCMN-LX-2SC	10/100Base-TX(RJ-45) to 100Base-LX(SC) SMF 1310nm 20km Mini Media Converter
40km/1310nm	Standard	SK-FMC-FX-4SC	10/100Base-TX(RJ-45) to 100Base-LX(SC) SMF 1310nm 40km Media Converter
40km/1310nm	Mini	SK-FMCMN-LX-4SC	10/100Base-TX(RJ-45) to 100Base-LX(SC) SMF 1310nm 40km Mini Media Converter

Notes:

- 1) Standard Media Converter Dimensions: (3.75" x 2.75" x 1.0")
- 2) Mini Media Converter Dimensions: (3.75" x 2.25" x 0.75")
- 3) Other Media Converter options available: Hardenend, Multi-Port, Single Fibre, Managed, POE/+

Fixed (ST) - RJ45

1000Base-1Gb/s			
Multimode	Size	Part Number	Description
550m/850nm	Standard	SK-GMC-SX-5ST	10/100/1000Base-TX(RJ-45) to 1000Base-SX(ST) MMF 850nm 550m Media Converter
550m/850nm	Mini	SK-GMCMN-SX-ST	10/100/1000Base-TX(RJ-45) to 1000Base-SX(ST) MMF 850nm 550m Mini Media Converter
2km/1310nm	Standard	SK-GMC-MX-ST	10/100/1000Base-TX(RJ-45) to 1000Base-MX(ST) MMF 1310nm 2km Media Converter
2km/1310nm	Mini	SK-GMCMN-FX-ST	10/100/1000Base-TX(RJ-45) to 1000Base-FX(ST) MMF 1310nm 2km Mini Media Converter
Singlemode	Size	Part Number	Description
20km/1310nm	Standard	SK-GMC-LX-2ST	10/100/1000Base-TX(RJ-45) to 1000Base-LX(ST) SMF 1310nm 20km Media Converter
20km/1310nm	Mini	SK-GMCMN-LX-2ST	10/100/1000Base-TX(RJ-45) to 1000Base-LX(ST) SMF 1310nm 20km Mini Media Converter
40km/1310nm	Standard	SK-GMCMN-LX-4ST	10/100/1000Base-TX(RJ-45) to 1000Base-LX(ST) SMF 1310nm 40km Mini Media Converter
100Base-100Mb/s			
Multimode	Size	Part Number	Description
2km/1310nm	Standard	SK-FMC-FX-ST	10/100Base-TX(RJ-45) to 100Base-FX(ST) MMF 1310nm 2km Media Converter
550m/850nm	Mini	SK-FMCMN-SX-ST	10/100Base-TX(RJ-45) to 100Base-SX(ST) MMF 850nm 550m Mini Media Converter
2km/1310nm	Mini	SK-FMCMN-FX-ST	10/100Base-TX(RJ-45) to 100Base-FX(ST) MMF 1310nm 2km Mini Media Converter
Singlemode	Size	Part Number	Description
20km/1310nm	Standard	SK-FMC-FX-2ST	10/100Base-TX(RJ-45) to 100Base-LX(ST) SMF 1310nm 20km Media Converter
20km/1310nm	Mini	SK-FMCMN-LX-2ST	10/100Base-TX(RJ-45) to 100Base-LX(ST) SMF 1310nm 20km Mini Media Converter
40km/1310nm	Standard	SK-FMC-FX-4ST	10/100Base-TX(RJ-45) to 100Base-LX(ST) SMF 1310nm 40km Media Converter
40km/1310nm	Mini	SK-FMCMN-LX-4ST	10/100Base-TX(RJ-45) to 100Base-LX(ST) SMF 1310nm 40km Mini Media Converter

Notes:

- 1) Standard Media Converter Dimensions: (3.75" x 2.75" x 1.0")
- 2) Mini Media Converter Dimensions: (3.75" x 2.25" x 0.75")
- 3) Other Media Converter options available: Hardenend, Multi-Port, Single Fibre, Managed, POE/+

10G Media Converters

SK-GMCMN-2SFP+	Open SFP+ to Open SFP+ Mini Media Converter
SK-MCC10GRJSFP	10G Copper to Fibre Media Converter. Open SFP Slot. Remote Standalone

10G Optical to Electrical to Optical Media Converters

SK-MCC10G2SFP	SFP+ to SFP+ OEO Media Converter, Standalone, w/AC Power Cable
---------------	--

OEO System Chassis

MC-SK-2U16S-CHASSIS-AA	Chassis w/Management Card, Redundant AC PS
------------------------	--

Cards for OEO Chassis

SK-MCC10G2SFP	SFP+ to SFP+ OEO Media Converter, Local Card Only, for 16 Slot Chassis
SK-MCC10GRJSFP	10G Copper to Fibre Media Converter. Open SFP Slot. Card Only
SK-MCC-10G-FANCARD	Fan Card
SK-MNGMNTCARD	Management Card
SK-MCC10G2SFP-FAN	SFP+ to SFP+ OEO Media Converter, Local Card w/Fan, for 16 Slot Chassis

100G Optical to Electrical to Optical Media Converters

SK-LMCC100G4QSFP28	100G Dual OEO System, 1U Chassis, Dual OEO Line Card w/Management Interface
--------------------	---

Skylane Optics offers a range of media converters to suit your [connectivity needs](#).

[Contact Us](#)



SKYLANE
OPTICS®

About **Skylane Optics**

Skylane, an Amphenol company, is a leading provider of transceivers for optical communication.

We offer an extensive portfolio for the enterprise, access, datacenter and metropolitan fiber optical market as well as for smart home applications and home networks.

We cover the European, South American and North American market with a strong partner network and have offices in Belgium, Brazil, Sweden and USA.

Our offerings are characterized by high quality and performance. In combination with our strong technical support, we enable our customers to build cost optimized network solutions.

We offer an extensive range of high-quality products including transceivers (Optical and copper), Active Optical Cable (AOC), Direct Attach Cable (DAC), Mux/Demux, Coding Box (TCS).

