

## SK-2X1XLC8XLCPLC1MSM

1m LC (Male) to 8xLC (Male) Yellow Duplex SMF Fiber Colorless Splitter -40 to 85C

### Product Description

This is a dual colorless splitter for coherent optical applications. This duplex assembly combines and splits optical signals from coherent transceivers through a pluggable EDFA module. The colorless splitter has 1m single-mode fibers with duplex LC connectors on each leg. Our colorless splitters are 100% compliant for all of your networking needs. Our products are guaranteed by federal law to not affect or void OEM warranties.

### Features:

- 2 1x8 PLC Splitter
- LC/UPC Connector
- Single-Mode Fiber
- 1M Length
- Operating Wavelength: 1260nm to 1650nm
- Industrial Temperature: -40C to 85C



---

*For your product safety, please read the following information carefully before any manipulation of the transceiver:*



**ESD**

*This transceiver is specified as ESD threshold 1kV for SFI pins and 2kV for all others electrical input pins, tested per MIL-STD-883G, Method 3015.4 /JESD22-A114-A (HBM). However, normal ESD precautions are still required during the handling of this module.*



**LASER SAFETY**

*This is a Class1 Laser Product according to IEC 60825-1:2007. This product complies with 21 CFR 1040.10 and 1040.11 except for deviations pursuant to Laser Notice No. 50, dated (June 24, 2007).*

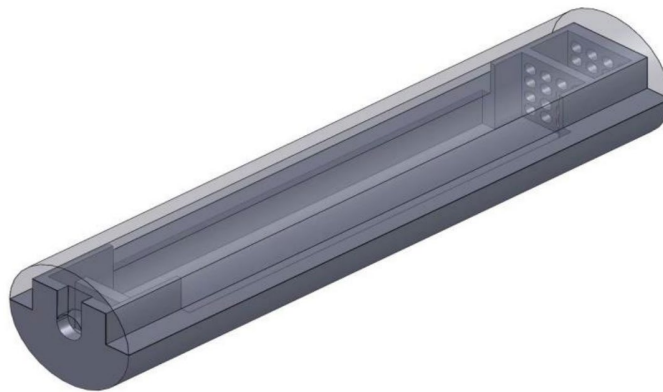
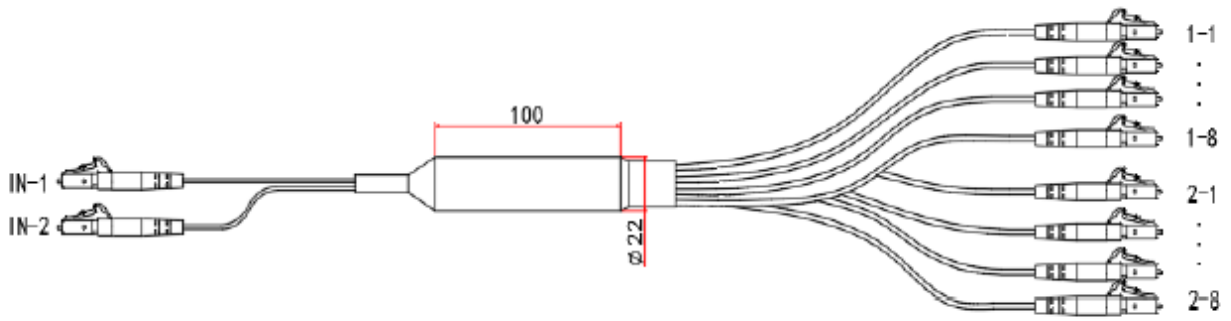
*The optical ports of the module need to be terminated with an optical connector or with a dust plug in order to avoid contamination.*

---

## Specifications

Parameter	Specification	Unit
Storage Temperature	-40 to 85	°C
Operating Temperature	-40 to 85	°C
Fiber Length (Includes Connector)	1.0 ± 0.05	m
Fiber Type	G657.A1 Fiber w/2.0mm Cable (Yellow)	
Package Size	Φ22x100	mm
Connector Type	LC/UPC	
Operating Wavelength	1260~1650	nm
Insertion Loss	≤10.5	dB
Uniformity	≤0.8	dB
Polarization-Dependent Loss	≤0.2	
Return Loss	≥50	dB
Directivity	≥50	dB

## Mechanical Specifications



### Notes:

1. φ22x100mm.

# About Skylane Optics

Skylane is a leading provider of transceivers for optical communication.

We offer an extensive portfolio for the enterprise, access, datacenter and metropolitan fiber optical market as well as for smart home applications and home networks.

We cover the European, South American and North American market with a strong partner network and have offices in Belgium, Brazil, Sweden and USA.

Our offerings are characterized by high quality and performance. In combination with our strong technical support, we enable our customers to build cost optimized network solutions.

We offer an extensive range of high-quality products including transceivers (Optical and copper), Active Optical Cable (AOC), Direct Attach Cable (DAC), Mux/Demux, Coding Box (SKYGATE).

